



# BIKE-PACK SYSTEM™

Thank you for purchasing our VENTURA BIKE-PACK SYSTEM.  
Before use please read all instructions and our Limited Warranty carefully.

**To Fit : Suzuki GSXR 600 K4, K5 (04-05),  
GSXR 750 K4, K5 (04-05)**

**S100/B** L-Brackets  
**PF12/B** Pack-Rack  
**SR12/B** Sport-Rack  
**GH12/18/B** Grab-Handle

A range of various style packs for the Aerodynamic systems, along with storm covers and optional shoulder straps (where applicable) are available.

Check with your local dealer, distributor or contact us direct for the latest models.

## FITTING KIT CONTENTS

LD001/B locking device (fitted to L-Brackets)

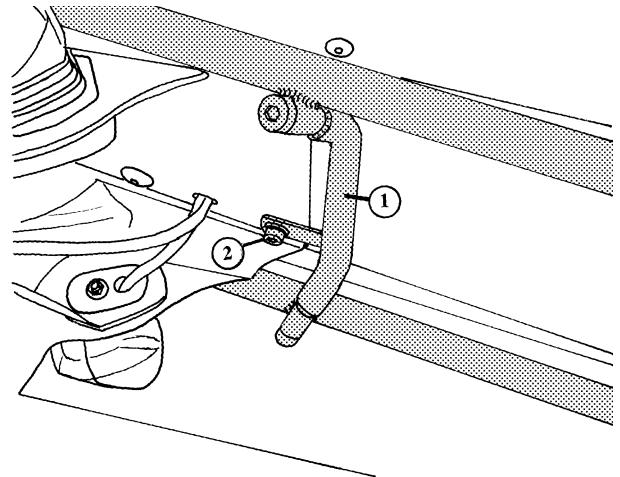
- 1 LK001/S Key
- 1 S100 Crossmember
- 2 M8 x 30 Allenhead capscrews (blk zp)
- 2 M6 x 20 Allenhead capscrews (blk zp)
- 2 M6 x 12.5 x 1.2 flat washers (blk zp)
- 2 M8 x 22 x 3.0 flat washers (blk zp)

**RECOMMENDATION:** To prevent marking the surface finish, cover the rear seat cowl and rear body top with abrasion resistant film before using the system.

**HELPFUL HINT:** To ease fitment into the L-Brackets we recommend a light coating of beeswax, candle wax or light grease be applied to the bottom of the Pack-Rack legs.

## FITTING INSTRUCTIONS

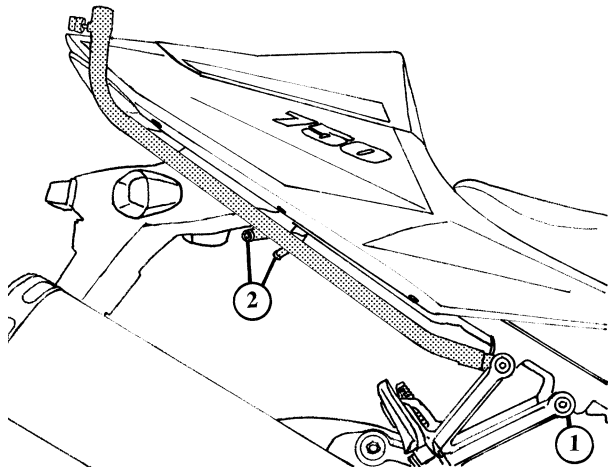
1. Remove the two foremost numberplate holder/rear indicator assembly to inner guard bolts and discard.
2. The S100/B crossmember mounts at these points with the flat brackets pointing to the rear as in Diagram #1. Secure the crossmember using the M6 x 20 Allenhead capscrews and M6 x 12.5 x 1.2 flat washers supplied.



**Diagram 1**

**Legend to  
Diagram 1**

- ① S100/B crossmember
  - ② M6 x 20 Allenhead capscrews and  
M6 x 12.5 x 1.2 flat washers
3. Remove the pillion footpeg casting to rear subframe bolts and retain.
  4. Place the M8 x 22 x 3.0 flat washers supplied between the casting and the frame at the front holes and replace the original front bolts.



**Diagram 2**

**Legend to Diagram 2**

- ① M8 x 22 x 3.0 flat washer
- ② M8 x 30 Allenhead capscrew

5. The forward flat mountings on the L-Brackets fit between the casting and subframe at the rear holes and are secured with the original bolts. Leave loose.
6. The rear tubular L-Bracket mounts are secured to the ends of the S100/B crossmember using the M8 x 30 Allenhead capscrews supplied. Leave loose.
7. Insert a Pack-Rack or Sport-Rack into the L-Brackets, ensure the rack is level and tighten all mounting bolts.
8. Tighten the L-Bracket locking devices by following the procedure in the General Instructions for Use.

**GENERAL INSTRUCTIONS FOR USE**



The following instructions should be strictly adhered to. Failure to do so may result in an accident causing injury or death.

**Locking Device Tightening Instruction**

**For racks with formed indents on swaged ends.**

1. Ensure the knurled locking nut is wound fully back and is in contact with the head of the locking device.
2. Tighten the locking device firmly and securely by hand making sure that it is centrally located in the indented groove on the swaged legs of the rack.
3. Turning the knurled locknut clockwise, tighten firmly by hand. Using the key tighten an extra 2mm (1/8" approx) of circumference travel.

**For racks without indents**

1. Ensure the knurled locking nut is wound fully back and is in contact with the head of the locking device.
2. Tighten the locking device by hand until it comes into positive and firm contact with the rack.
3. Using the key, tighten a further 1.125 (1 1/8) turns.
4. Turning the knurled locknut clockwise, tighten firmly by hand. Using the key tighten an extra 2mm (1/8" approx) of circumference travel.

**BEFORE USE**

All fasteners and components must be checked for tightness and security before each ride.

**RECOMMENDATION**

Any surfaces that could possibly come in contact with the pack(s) should be covered with protective material such as abrasion resistant film, to prevent marking or damage to the surface finish.

**RIDING SOLO**

When riding solo always have the pack facing forward with the load over the pillion seat.

**RIDING WITH A PILLION PASSENGER**

When riding with a pillion passenger the pack must be fitted facing rearwards.

**WARNING -**

The VENTURA Bike-Pack System was not designed as a back rest and should not be used as one by the pillion passenger.

**SECURING PACK TO PACK-RACK**

To secure the pack use the straps with the quick release clips and attach around the horizontal rung on the Pack-Rack carrier. On some models the quick release system is not available. In this situation loop the shoulder straps around the rung and fasten to the buckle.

**PACKING THE PACK**

Always place heavy items at the bottom of the pack and load evenly. Do not position sharp objects against the fabric of the pack.

**MAXIMUM CARRYING CAPACITY**

Unless specified to the contrary in the fitting instructions or the motorcycle manufacturers recommendations/specifications the recommended maximum load capacity of this system is 9kg (20lbs). It is important that the pack is always securely fastened to the Pack-Rack.

**MAXIMUM SPEED**

The maximum recommended speed that this system can be used is 130 kph (80mph) or the legal speed limit, whichever is the lower. This limit may be reduced by other accessories, worn tyres, improper handling, overall motorcycle condition or weather conditions.

**REMEMBER**

Exceeding the weight capacity or the recommended maximum speed may drastically affect the motorcycles handling, stability and performance.

**L-BRACKETS**

The L-Brackets must always have the Pack-Rack, Sport-Rack or Grab-Handle fitted.

**IMPORTANT**

The VENTURA BIKE-PACK SYSTEM is designed as a complete unit. The use of non VENTURA parts, bags or other attachments will render the warranty void.

The following VENTURA accessories are available for these/this model motorcycle(s):

**VENTURA Light-Guard :** VP179

**"Happy and Safe Motorcycling"**

## LIMITED WARRANTY

**NOTE: Some jurisdictions do not allow limitations on how long an implied warranty, if any, lasts, and do not allow the exclusion of limitation of incidental or consequential damages so the limitations and exclusions below may not apply to you. This warranty gives specific legal rights, you may have other rights which vary from jurisdiction to jurisdiction.**

Dold Industries Limited ("Dold") warrants this product to be free from defects in materials and workmanship under normal use and maintenance for a period of one year from its date of original purchase. Dold shall, at its option, either repair or replace a defective product returned to it or its authorised agents, freight prepaid.

**This warranty does not apply to any product which has been altered, damaged or rendered non-functional through improper installation or maintenance, abnormal wear and tear due to exposure to the elements, negligence, abuse, accidents or any like circumstance.**

**Dold shall not be liable for any incidental nor consequential loss or damage resulting directly or indirectly from any defective product, its sole obligation being to repair or replace such defective product.**

This warranty is in lieu of, and excludes, all other warranties, expressed or implied, including the warranties of merchantability and of fitness for a particular purpose.

To make a warranty claim return the product to the dealer who supplied it with evidence of date of purchase. If you are not satisfied with their response, please contact the distributors for your country or: Dold Industries Ltd, 128-134 Maui Street, P O Box 10-393, Hamilton, New Zealand.

Telephone +64 (7) 849-4392. Facsimile +64 (7) 849-4114.

E-mail: [dold@ventura-bike.com](mailto:dold@ventura-bike.com) Internet: [www.ventura-bike.com](http://www.ventura-bike.com)

E & O E