



BIKE-PACK SYSTEM™

Thank you for purchasing our VENTURA BIKE-PACK SYSTEM.
Before use please read all instructions and our Limited Warranty carefully.

To Fit : Suzuki DR650 SE (97-15)

S072/B	L-Brackets
PF17/B	Pack-Rack
SR17/B	Sport-Rack
TBR15/17/B	Top-Box Rack
GH15/17/B	Grab-Handle

A range of various style packs for the Aerodynamic systems, along with storm covers and optional shoulder straps (where applicable) are available.

Check with your local dealer, distributor or contact us direct for the latest models.

FITTING KIT CONTENTS

2 x LD001/B knurled locking devices (fitted to L-Brackets)

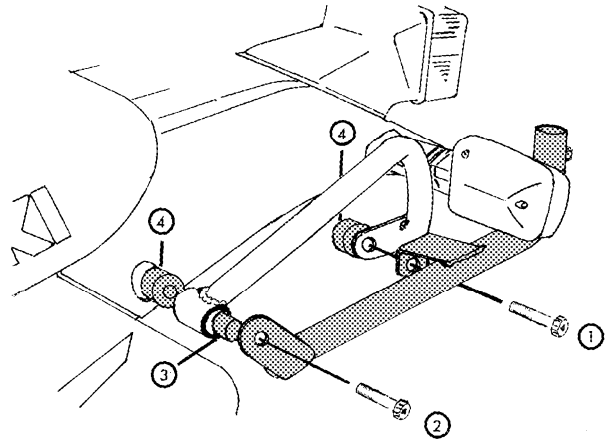
- 1 x LK001/S Key (bright zp)
- 2 x Part #393 9mm Tube spacers (bright zp)
- 2 x M8 x 45 Allenhead bolts (bright zp)
- 4 x Part #390 M8 x 8 x 19mm spacers (bright zp)

NOTE: Cover rear exposed mudguard with protective material to prevent scratching or marks to the surface finish.

FITTING INSTRUCTIONS

1. Remove the grab handles (retain the front, allenhead bolts for reuse in the rear).
2. The L-Brackets fit outside the Grab-Handle mounting points.
3. The four M8 x 8 x 19 spacers are inserted between the Grab-Handle mountings and the frame when reassembling with the L-Brackets.
4. The rear L-Bracket mountings are secured with the M8 x 25 allenhead bolts (retained as in diagram #1) through the Grab-Handle mounting and the spacer. Leave loose.
5. The front mountings are secured with the M8 x 45 allenhead bolts, after inserting a 9mm long spacer into the original Grab-Handle mountings. Leave loose.

Diagram #1

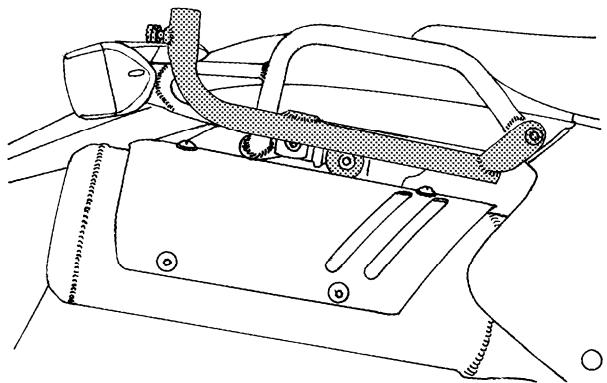


Legend to Diagram #1

- ① M8 x 25 (original bolt).
- ② M8 x 45 bolt
- ③ 9mm Tube spacer
- ④ M8 x 8 x 19 spacers

6. Insert a pack-rack or sport-rack into the L-Brackets, ensure the rack is level and tighten all mounting bolts.
7. Tighten the L-Bracket locking devices by following the procedure in the general instructions for use.

Diagram #2



*Fitment shown on 07 model.

GENERAL INSTRUCTIONS FOR USE



The following instructions should be strictly adhered to. Failure to do so may result in an accident causing injury or death.

Locking Device Tightening Instruction

For racks with formed indents on swaged ends.

- 1 Ensure the knurled locking nut is wound fully back and is in contact with the head of the locking device.
- 2 Tighten the locking device firmly and securely by hand making sure that it is centrally located in the indented groove on the swaged legs of the rack.
- 3 Turning the knurled locknut clockwise, tighten firmly by hand. Using the key tighten an extra 2mm ($1/8$ " approx) of circumference travel.

For racks without indents

- 1 Ensure the knurled locking nut is wound fully back and is in contact with the head of the locking device.
- 2 Tighten the locking device by hand until it comes into positive and firm contact with the rack.
- 3 Using the key, tighten a further 1.125 ($1\frac{1}{8}$) turns.
- 4 Turning the knurled locknut clockwise, tighten firmly by hand. Using the key tighten an extra 2mm ($1/8$ " approx) of circumference travel.

BEFORE USE

All fasteners and components must be checked for tightness and security before each ride.

RECOMMENDATION

Any surfaces that could possibly come in contact with the pack(s) should be covered with protective material such as abrasion resistant film, to prevent marking or damage to the surface finish.

RIDING SOLO

When riding solo always have the pack facing forward with the load over the pillion seat.

RIDING WITH A PILLION PASSENGER

When riding with a pillion passenger the pack must be fitted facing rearwards.

WARNING - The VENTURA Bike-Pack System was not designed as a back rest and should not be used as one by the pillion passenger.

SECURING PACK TO PACK-RACK

To secure the pack use the straps with the quick release clips and attach around the horizontal rung on the Pack-Rack carrier. On some models the quick release system is not available. In this situation loop the shoulder straps around the rung and fasten to the buckle. If the securing straps hang down below the rack, loop the excess up behind the quick release clips.

PACKING THE PACK

Always place heavy items at the bottom of the pack and load evenly. Do not position sharp objects against the fabric of the pack.

MAXIMUM CARRYING CAPACITY

Unless specified to the contrary in the fitting instructions or the motorcycle manufacturers recommendations/specifications the recommended maximum load capacity of this system is 9kg (20lbs). It is important that the pack is always securely fastened to the Pack-Rack.

MAXIMUM SPEED

The maximum recommended speed that this system can be used is 130 kph (80mph) or the legal speed limit, whichever is the lower. This limit may be reduced by other accessories, worn tyres, improper handling, overall motorcycle condition or weather conditions.

REMEMBER

Exceeding the weight capacity or the recommended maximum speed may drastically affect the motorcycles handling, stability and performance.

L-BRACKETS

The L-Brackets must always have the Pack-Rack, Sport-Rack or Grab-Handle fitted.

ADDITIONAL REAR VISIBILITY

Carrying luggage may sometimes partially obscure your tail light causing your safety to be compromised...

VENTURA have this covered!

Our VTL-001 auxiliary LED 12v stop/tail lamp is flexible and may be fitted to any surface on the back of your motorcycle using the adhesive backing or the mounting bolts supplied.

IMPORTANT

The VENTURA BIKE-PACK SYSTEM is designed as a complete unit. The use of non VENTURA parts, bags or other attachments will render the warranty void.

The Ventura Bike-Pack System was designed to be used with the models specified in our fitment list in their original standard specification. Unless otherwise specified the fitment of optional or non standard parts and accessories will render the warranty void.

Dold Industries Ltd., or its re-sellers, cannot be held responsible for loss or damage however caused in the event of its equipment being used with Motorcycles fitted with optional or non standard parts and accessories unless specifically specified by Dold Industries Ltd.

The following VENTURA accessories are available for these/this model motorcycle(s):

VENTURA Light-Guard : VP012
VENTURA Auxiliary LED Lamp: VTL-001

"Happy and Safe Motorcycling"

LIMITED WARRANTY

NOTE: Some jurisdictions do not allow limitations on how long an implied warranty, if any, lasts, and do not allow the exclusion of limitation of incidental or consequential damages so the limitations and exclusions below may not apply to you. This warranty gives specific legal rights, you may have other rights which vary from jurisdiction to jurisdiction.

Dold Industries Limited ("Dold") warrants this product to be free from defects in materials and workmanship under normal use and maintenance for a period of one year from its date of original purchase. Dold shall, at its option, either repair or replace a defective product returned to it or its authorised agents, freight prepaid.

This warranty does not apply to any product which has been altered, damaged or rendered non-functional through improper installation or maintenance, abnormal wear and tear due to exposure to the elements, negligence, abuse, accidents or any like circumstance.

Dold shall not be liable for any incidental nor consequential loss or damage resulting directly or indirectly from any defective product, its sole obligation being to repair or replace such defective product.

This warranty is in lieu of, and excludes, all other warranties, expressed or implied, including the warranties of merchantability and of fitness for a particular purpose.

To make a warranty claim return the product to the dealer who supplied it with evidence of date of purchase. If you are not satisfied with their response, please contact the distributors for your country or: Dold Industries Ltd, 128-134 Maui Street, P O Box 10-393, Hamilton, New Zealand.

Telephone +64 (7) 849-4392. Facsimile +64 (7) 849-4114.

E-mail: dold@ventura-bike.com Internet: www.ventura-bike.com

E & O E