



# BIKE-PACK SYSTEM™

Thank you for purchasing our VENTURA BIKE-PACK SYSTEM.  
Before use please read all instructions and our Limited Warranty carefully.

**To Fit : Suzuki GSF 600 Y-K4 (00-04) Bandit**  
**Suzuki GSF 600S Y-K4 (00-04) Bandit**  
**Suzuki GSF 1200S K1-K5 (01-05) Bandit**  
**Suzuki GSF 1200 K1-K5 (01-05) Bandit**

**S089/B** L-Brackets  
**PF13/B** Pack-Rack  
**SR13/B** Sport-Rack

A range of various style packs, for the 'Aerodynamic' systems, along with storm covers and optional shoulder straps (where applicable) are available.

Check with your local dealer, distributor or contact us direct for the latest models.

#### FITTING KIT CONTENTS

LD001/B locking device (fitted to L-Brackets)

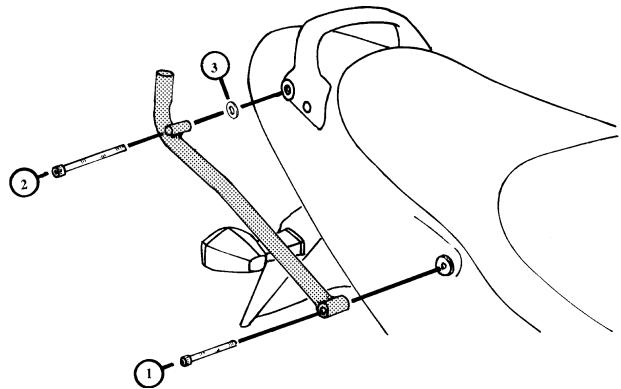
- 1 LK001/S Key
- 2 M8 x 17.0 x 1.4 flat washers (black zp)
- 2 M8 x 55 Allenhead bolts (black zp)
- 2 M8 x 80 Allenhead bolts (black zp)

#### FITTING INSTRUCTIONS

- 1 Remove and discard front and rear luggage tie down pins and retain rear dished washers, the L-Brackets are mounted at these points.
  - 2 The front L-Bracket mounts are secured using the M8 x 55 Allenhead bolts supplied. Leave loose.
  - 3 The rear L-Bracket mounts are secured using the M8 x 80 Allenhead bolts supplied, with the original dished washer between the L-Bracket and the grab handle. Leave loose.
- NOTE:** Additional washers have been supplied to adjust width if necessary.
- 4 Fit Pack-Rack or Sport-Rack into the L-Brackets, ensure the rack is level and tighten all mounting bolts. Tighten L-Bracket locking devices by following the procedure in the General Instructions For Use.

**NOTE:** Pack-Rack or Sport-Rack must be used facing to the rear. Failure to comply will result in damage and/or marking to the surface finish.

**RECOMMENDATION:** Cover upper surfaces of the grab handle with protective material to prevent marking or damage to the surface finish.



**Diagram 1**

#### Legend to

- |   |                         |
|---|-------------------------|
| 1 | M8 x 55 Allenhead bolts |
| 2 | M8 x 80 Allenhead bolt  |
| 3 | Original washer         |

#### Diagram 1:

## GENERAL INSTRUCTIONS FOR USE



The following instructions should be strictly adhered to. Failure to do so may result in an accident causing injury or death.

### Locking Device Tightening Instruction

#### For racks with formed indents on swaged ends.

- 1 Ensure the knurled locking nut is wound fully back and is in contact with the head of the locking device.
- 2 Tighten the locking device firmly and securely by hand making sure that it is centrally located in the indented groove on the swaged legs of the rack.
- 3 Turning the knurled locknut clockwise, tighten firmly by hand. Using the key tighten an extra 2mm ( $\frac{1}{8}$ " approx) of circumference travel.

#### For racks without indents

- 1 Ensure the knurled locking nut is wound fully back and is in contact with the head of the locking device.
- 2 Tighten the locking device by hand until it comes into positive and firm contact with the rack.
- 3 Using the key, tighten a further 1.125 ( $1\frac{1}{8}$ ) turns.
- 4 Turning the knurled locknut clockwise, tighten firmly by hand. Using the key tighten an extra 2mm ( $\frac{1}{8}$ " approx) of circumference travel.

#### BEFORE USE

All fasteners and components must be checked for tightness and security before each ride.

#### RECOMMENDATION

Any surfaces that could possibly come in contact with the pack(s) should be covered with protective material such as abrasion resistant film, to prevent marking or damage to the surface finish.

#### RIDING SOLO

When riding solo always have the pack facing forward with the load over the pillion seat.

#### RIDING WITH A PILLION PASSENGER

When riding with a pillion passenger the pack must be fitted facing rearwards.

**WARNING -** The VENTURA Bike-Pack System was not designed as a back rest and should not be used as one by the pillion passenger.

#### SECURING PACK TO PACK-RACK

To secure the pack use the straps with the quick release clips and attach around the horizontal rung on the Pack-Rack carrier. On some models the quick release system is not available. In this situation loop the shoulder straps around the rung and fasten to the buckle.

#### PACKING THE PACK

Always place heavy items at the bottom of the pack and load evenly. Do not position sharp objects against the fabric of the pack.

#### MAXIMUM CARRYING CAPACITY

Unless specified to the contrary in the fitting instructions or the motorcycle manufacturers recommendations/specifications the recommended maximum load capacity of this system is 9kg (20lbs). It is important that the pack is always securely fastened to the Pack-Rack.

#### MAXIMUM SPEED

The maximum recommended speed that this system can be used is 130 kph (80mph) or the legal speed limit, whichever is the lower. This limit may be reduced by other accessories, worn tyres, improper handling, overall motorcycle condition or weather conditions.

#### REMEMBER

Exceeding the weight capacity or the recommended maximum speed may drastically affect the motorcycles handling, stability and performance.

#### L-BRACKETS

The L-Brackets must always have the Pack-Rack, Sport-Rack or Grab-Handle fitted.

#### IMPORTANT

The VENTURA BIKE-PACK SYSTEM is designed as a complete unit. The use of non VENTURA parts, bags or other attachments will render the warranty void.

#### VENTURA Light Guards:

GSF 600S, GSF 1200S Bandit -	VP133
GSF 1200 Bandit -	VP073

**"Happy and Safe Motorcycling"**

#### LIMITED WARRANTY

**NOTE: Some jurisdictions do not allow limitations on how long an implied warranty, if any, lasts, and do not allow the exclusion of limitation of incidental or consequential damages so the limitations and exclusions below may not apply to you. This warranty gives specific legal rights, you may have other rights which vary from jurisdiction to jurisdiction**

Dold Industries Limited ("Dold") warrants this product to be free from defects in materials and workmanship under normal use and maintenance for a period of one year from its date of original purchase. Dold shall, at its option, either repair or replace a defective product returned to it or its authorised agents, freight prepaid.

**This warranty does not apply to any product which has been altered, damaged or rendered non-functional through improper installation or maintenance, abnormal wear and tear due to exposure to the elements, negligence, abuse, accidents or any like circumstance.**

**Dold shall not be liable for any incidental nor consequential loss or damage resulting directly or indirectly from any defective product, its sole obligation being to repair or replace such defective product.**

This warranty is in lieu of, and excludes, all other warranties, expressed or implied, including the warranties of merchantability and of fitness for a particular purpose.

To make a warranty claim return the product to the dealer who supplied it with evidence of date of purchase. If you are not satisfied with their response, please contact the distributors for your country or: Dold Industries Ltd, 128-134 Maui Street, P O Box 10-393, Hamilton, New Zealand.  
Telephone +64 (7) 849-4392. Facsimile +64 (7) 849-4114.  
E-mail: dold@ventura-bike.com Internet: www.ventura-bike.com

E & O E